




Deep type pads PH series

			Connection type	Top port	Side port	
Pad with locking fitting PH□K φ30 ~ 90	⇒P432		Barb connector (φ65/90 : Female screw)	PHTK	PHYK	
Pad with spring fitting NAPH□S Stroke(mm) φ30/45 6,15,30 φ65/90 10,30,50	⇒P434		Female screw (Without connector)	NAPHTS-□-□	NAPHYS-□-□	
			Push-in connector	NAPHTS-□-□-O	NAPHYS-□-□-O	
			Barb connector	NAPHTS-□-□-T	NAPHYS-□-□-T	
Pad with spring fitting non-rotative type NAPH□H Stroke(mm) φ30/45 6,15,30	⇒P436		Female screw (Without connector)	NAPHTH-□-□	NAPHYH-□-□	
			Push-in connector	NAPHTH-□-□-O	NAPHYH-□-□-O	
			Barb connector	NAPHTH-□-□-T	NAPHYH-□-□-T	
Maintenance parts Fitting ⇒P432, 434, 436 Female screw ⇒P498 Pad ⇒P438			Locking fitting	Barb connector	PHTK-□-K	PHYK-□-K
			Spring type Fitting	Push-in connector	NAPHTS-□-K-O	NAPHYS-□-K-O
				Barb connector	NAPHTH-□-K-O	NAPHYH-□-K-O
					NAPHTS-□-K-T	NAPHYS-□-K-T
			Female screw		TN-PF-25-M6	-
			Pad		TN-PH-65-M10	-
				PHG		

Pad standard material table

● : Standard ○ : Made to order × : None

	Material	Identification	Symbol	Round pad			
				30	45	65	90
Standard	Nitrile	Black	N	●	●	●	●
	Silicone	Transparent white	S	●	●	●	●
	Urethane	Blue	U	●	●	●	●
	Fluorine	Black with white dot	F	●	●	●	●
	Conductive Nitrile	Black with blue dot	NE	●	●	●	●
	Conductive Silicone	Black with red dot	SE	●	●	●	●
Made to order	Conductive Urethane	Black	UE	○	○	○	○
	Conductive Fluorine	Black	FE	○	○	○	○
	Conductive Chloroprene	Black	CRE	×	×	×	×
	Nitrile HS70	Black	NBR70	○	○	○	○
	HNBR	Black	HNBR	×	×	×	×
	Silicone HS30	White	SI30	○	○	○	○
	Heat resistant silicone	Grey	SH	○	○	○	○
	Fluoro Silicone	Orange	FSI	○	○	○	○
	Antibacterial silicone	Grey	SAG	×	×	×	×
	Chloroprene	Green	CR	○	○	○	○
	Natural rubber	Light brown	NR	○	○	×	×
	2 Hardness	Black	W	×	×	×	×
	Ethylene-propylene	Black	EPDM	○	○	○	○
	Mark free	Black with yellow dot	F-Z	○	○	○	○
	Non-adhesive (RA)	Black	F-RA	○	○	○	○

Pad with locking fitting / PHTK · YK

How to order

① ② ③
PH T K - 30 - N

① Vacuum port

T	Top port
Y	Side port

② Pad diameter (mm)

30	φ30
45	φ45
65	φ65
90	φ91

③ Pad rubber material

N	NBR(Nitrile rubber)
S	Silicone rubber
U	Urethane rubber
F	Fluorine rubber
NE	Conductive NBR(Nitrile rubber)
SE	Conductive Silicone rubber

Note) Please consult with us for other material.

Fitting specifications

Description			φ30/45		φ65/90	
Vacuum port type			Top port	Side port	Top port	Side port
Connection type	Without connector		×	×	Rc1/8	Rc1/8
	Barb connector	φ4 × 2.5	×	×	×	×
		φ6 × 4	○ (M5)	○ (M5)	×	×
Fitting attachment type			Male screw	Female screw	Male screw	Female screw

Pad standard specifications

Symbol	Material	Hardness(Hs)	Ambient temperature	Color	Volume resistivity
N	NBR(Nitrile rubber)	A55/S	-26 ~ 120°C	Black	-
S	Silicone rubber	A55/S	-60 ~ 250°C	White	-
U	Urethane rubber	A55/S	-20 ~ 75°C	Blue	-
F	Fluorine rubber	A70/S	-10 ~ 230°C	Black with white dot	-
NE	Conductive NBR(Nitrile rubber)	A70/S	0 ~ 60°C	Black with blue dot	800 ~ 1000 Ω /cm ³
SE	Conductive Silicone rubber	A55/S	-10 ~ 130°C	Black with red dot	5 ~ 15 Ω /cm ³

Note) Volume resistivity shows conductivity, resistance value is per cm³.

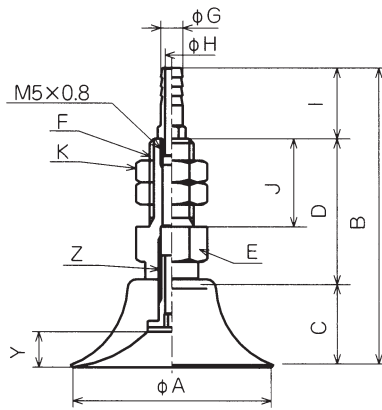
Applicable fitting table

		How to order	Round pad			
			30	45	65	90
Connection type	Top port	PFTK-25-K	○	○		
		PFTK-60-K			○	○
	Side port	PFYK-25-K	○	○		
		PFYK-60-K			○	○
Female screw		TN-PF-25-M6	○	○		
		TN-PH-65-M10			○	○

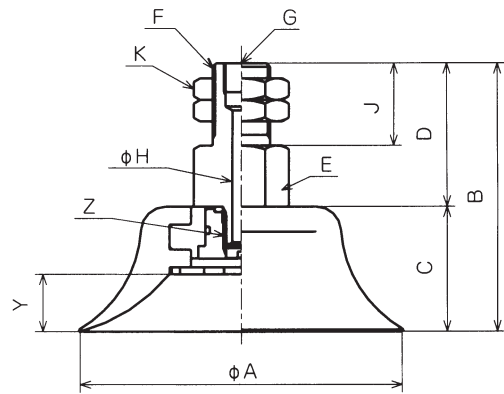
Note) A female screw is needed for pad attachment.

Dimensions

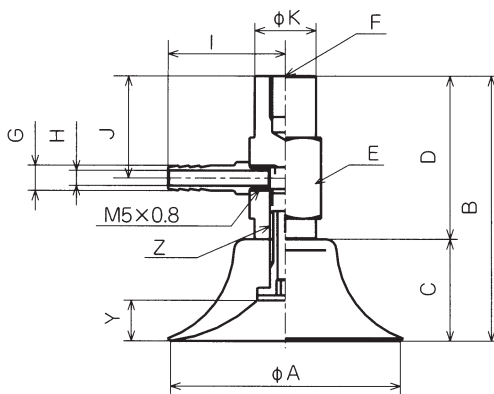
(mm)



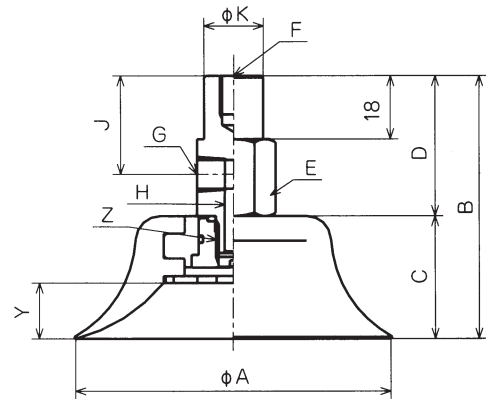
PHTK-30/45



PHTK-65/90



PHYK-30/45



PHYK-65/90

PHTK	A	B	C	D	E	F	G	H	I	J	K	Y	Z	Mass (g)
PHTK-30	30	58	15	32	14H	M10×1.5	5	3	11	20	14H	5	M6×1.0	37
PHTK-45	45	63	20	32	14H	M10×1.5	5	3	11	20	14H	8	M6×1.0	44
PHTK-65	65	69.5	29.5	40	21H	M16×1.5	Rc1/8	5	/	23	21H	12.5	M10×1.25	142
PHTK-90	90	75	35	40	21H	M16×1.5	Rc1/8	5	/	23	21H	16	M10×1.25	188

PHYK	A	B	C	D	E	F	G	H	I	J	K	Y	Z	Mass (g)
PHYK-30	30	47	15	32	14H	M6 depth 8	5	3	18	20	12	5	M6×1.0	41
PHYK-45	45	52	20	32	14H	M6 depth 8	5	3	18	20	12	8	M6×1.0	48
PHYK-65	65	69.5	29.5	40	21H	M8 depth 11	Rc1/8	5	/	28	17	12.5	M10×1.25	138
PHYK-90	90	75	35	40	21H	M8 depth 11	Rc1/8	5	/	28	17	16	M10×1.25	184

Pad with spring fitting / NAPHTS · YS

How to order

NAPH ^①T ^②S - ^③30-6 - ^④N - T

① Vacuum port		② Pad diameter - stroke (mm)				③ Pad rubber material	
T	Top port	30-6	φ30-6	65-10	φ65-10	N	NBR(Nitrile rubber)
Y	Side port	30-15	φ30-15	65-30	φ65-30	S	Silicone rubber
		30-30	φ30-30	65-50	φ65-30	U	Urethane rubber
		45-6	φ45-6	90-10	φ90-10	F	Fluorine rubber
		45-15	φ45-15	90-30	φ90-30	NE	Conductive NBR(Nitrile rubber)
		45-30	φ45-30	90-50	φ90-50	SE	Conductive Silicone rubber

④ Connector	
Blank	Without
T	Barb connector
O	Push-in connector

Note) Please consult with us for other material.

Fitting specifications

Description		φ30/45		φ65/90	
Vacuum port type		Top port	Side port	Top port	Side port
Connection type	Without connector	M5	M5	Rc1/8	Rc1/8
	Barb connector	φ4 × 2.5	×	×	×
		φ6 × 4	○ (M5)	○ (M5)	×
	Push-in connector	φ4 × 2.5	×	×	×
φ6 × 4		○ (M5)	○ (M5)	×	×
Fitting attachment type		Male screw	Male screw	Male screw	Male screw

Pad standard specifications

Symbol	Material	Hardness(Hs)	Ambient temperature	Color	Volume resistivity
N	NBR(Nitrile rubber)	A55/S	-26 ~ 120°C	Black	-
S	Silicone rubber	A55/S	-60 ~ 250°C	White	-
U	Urethane rubber	A55/S	-20 ~ 75°C	Blue	-
F	Fluorine rubber	A70/S	-10 ~ 230°C	Black with white dot	-
NE	Conductive NBR(Nitrile rubber)	A70/S	0 ~ 60°C	Black with blue dot	800 ~ 1000 Ω/cm ³
SE	Conductive Silicone rubber	A55/S	-10 ~ 130°C	Black with red dot	5 ~ 15 Ω/cm ³

Note) Volume resistivity shows conductivity, resistance value is per cm³.

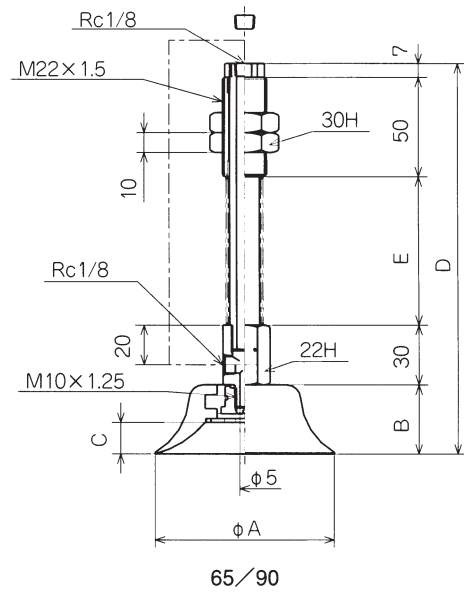
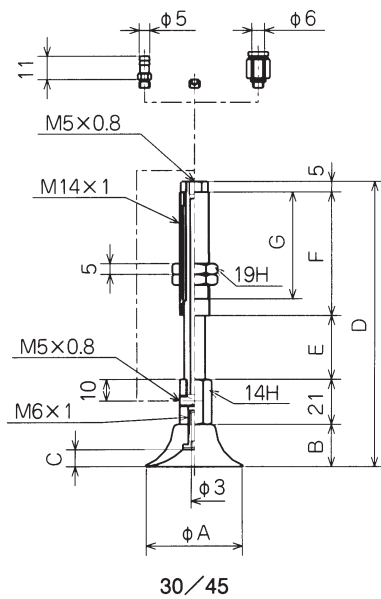
Applicable fitting table

	How to order	Round pad				
		30	45	65	90	
Fitting	Top port	NAPFTS-20B-6-K	○	○		
		NAPFTS-20B-15-K	○	○		
		NAPFTS-20B-30-K	○	○		
	Side port	NAPFYS-60-10-K			○	○
		NAPFYS-60-30-K			○	○
		NAPFYS-60-50-K			○	○
Female screw	TN-PF-25-M6	○	○			
	TN-PH-65-M10			○	○	

Note) A female screw is needed for pad attachment.

Dimensions

(mm)



NAPHT/YS	A	B	C	D	E	F	G	F ¹	F ²	Mass (g)
NAPHT/YS-30-6	30	15	5	83	6	36	28	2.45	3.43	69
NAPHT/YS-30-15	30	15	5	92	15	36	28	2.45	4.9	74
NAPHT/YS-30-30	30	15	5	129	30	58	50	2.9	5.88	99
NAPHT/YS-45-6	45	20	8	88	6	36	28	2.45	3.43	73
NAPHT/YS-45-15	45	20	8	97	15	36	28	2.45	4.9	78
NAPHT/YS-45-30	45	20	8	134	30	58	50	2.9	5.88	103
NAPHT/YS-65-10	65	29.5	12.5	136.5	20			8.82	11.8	331
NAPHT/YS-65-30	65	29.5	12.5	166.5	50			6.76	15.6	365
NAPHT/YS-65-50	65	29.5	12.5	191.5	75			8.33	19.6	392
NAPHT/YS-90-10	90	35	16	142	20			8.82	11.8	408
NAPHT/YS-90-30	90	35	16	172	50			6.76	15.6	442
NAPHT/YS-90-50	90	35	16	197	75			8.33	19.6	469

Note) Symbol F¹ in the table shows a spring load (N) at 0 stroke, and F² at full stroke.

Connector Mass (g)

	Tube O.D φ4	Tube O.D φ6
T	0.5	1.5
O	3.0	4.0

Pad with spring fitting, non rotative / NAPFTH · YH

How to order

NAPA ^① **T** H - ^② **30-6** - ^③ **N** - ^④ **T**

① Vacuum port

T	Top port
Y	Side port

② Pad diameter – stroke (mm)

30-6	φ10-3
30-15	φ10-10
30-30	φ10-15
45-6	φ15-3
45-15	φ15-10
45-30	φ15-15

③ Pad rubber material

N	NBR(Nitrile rubber)
S	Silicone rubber
U	Urethane rubber
F	Fluorine rubber
NE	Conductive NBR(Nitrile rubber)
SE	Conductive Silicone rubber

Note) Please consult with us for other material.

④ Connector

Blank	Without
T	Barb connector
O	Push-in connector

Fitting specifications

Description		φ30/45		
Vacuum port type		Top port	Side port	
Connection type	Without connector		M5	M5
	Barb connector	φ4 × 2.5	×	×
		φ6 × 4	○ (M5)	○ (M5)
	Push-in connector	φ4 × 2.5	×	×
		φ6 × 4	○ (M5)	○ (M5)
Fitting attachment type		Male screw	Male screw	

Pad standard specifications

Symbol	Material	Hardness(Hs)	Ambient temperature	Color	Volume resistivity
N	NBR(Nitrile rubber)	A55/S	-26 ~ 120°C	Black	-
S	Silicone rubber	A55/S	-60 ~ 250°C	White	-
U	Urethane rubber	A55/S	-20 ~ 75°C	Blue	-
F	Fluorine rubber	A70/S	-10 ~ 230°C	Black with white dot	-
NE	Conductive NBR(Nitrile rubber)	A70/S	0 ~ 60°C	Black with blue dot	800 ~ 1000 Ω/cm ³
SE	Conductive Silicone rubber	A55/S	-10 ~ 130°C	Black with red dot	5 ~ 15 Ω/cm ³

Note) Volume resistivity shows conductivity, resistance value is per cm³.

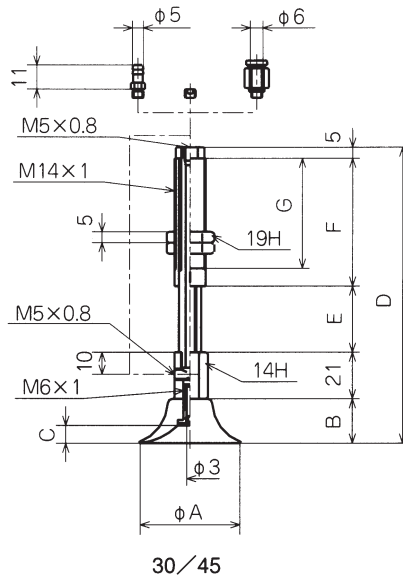
Applicable fitting table

		How to order	Round pad	
			30	45
Fitting	Top port	NAPFTH-20B-6-K	○	○
		NAPFTH-20B-15-K	○	○
		NAPFTH-20B-30-K	○	○
	Side port	NAPFYH-20B-6-K	○	○
		NAPFYH-20B-15-K	○	○
		NAPFYH-20B-30-K	○	○
Female screw	TN-PF-25-M6	○	○	

Note) A female screw is needed for pad attachment.

Dimensions

(mm)



NAPHT/YH	A	B	C	D	E	F	G	F ¹	F ²	Mass (g)
NAPHT/YH-30-6	30	15	5	83	6	36	28	2.45	3.43	67.5
NAPHT/YH-30-15	30	15	5	92	15	36	28	2.45	4.9	72.5
NAPHT/YH-30-30	30	15	5	129	30	58	50	2.9	5.88	96.5
NAPHT/YH-45-6	45	20	8	88	6	36	28	2.45	3.43	71.5
NAPHT/YH-45-15	45	20	8	97	15	36	28	2.45	4.9	76.5
NAPHT/YH-45-30	45	20	8	134	30	58	50	2.9	5.88	100.5

Note) Symbol F¹ in the table shows a spring load (N) at 0 stroke, and F² at full stroke.

Connector Mass (g)

	Tube O.D phi4	Tube O.D phi6
T	0.5	1.5
O	3.0	4.0

Deep type pad / PHG

How to order

PHG - ^①30 - ^②N

① Pad diameter (mm)

30	φ30
45	φ45
65	φ65
90	φ91

② Pad rubber material

N	NBR(Nitrile rubber)
S	Silicone rubber
U	Urethane rubber
F	Fluorine rubber
NE	Conductive NBR(Nitrile rubber)
SE	Conductive Silicone rubber

Note) Please consult with us for other material.

Pad standard specifications

Symbol	Material	Hardness(Hs)	Ambient temperature	Color	Volume resistivity
N	NBR(Nitrile rubber)	A55/S	-26 ~ 120°C	Black	-
S	Silicone rubber	A55/S	-60 ~ 250°C	White	-
U	Urethane rubber	A55/S	-20 ~ 75°C	Blue	-
F	Fluorine rubber	A70/S	-10 ~ 230°C	Black with white dot	-
NE	Conductive NBR(Nitrile rubber)	A70/S	0 ~ 60°C	Black with blue dot	800 ~ 1000 Ω/cm ³
SE	Conductive Silicone rubber	A55/S	-10 ~ 130°C	Black with red dot	5 ~ 15 Ω/cm ³

Note) Volume resistivity shows conductivity, resistance value is per cm³.

Dimensions

(mm)

